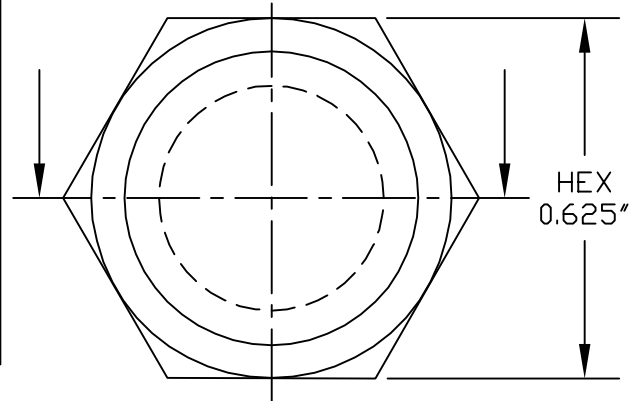


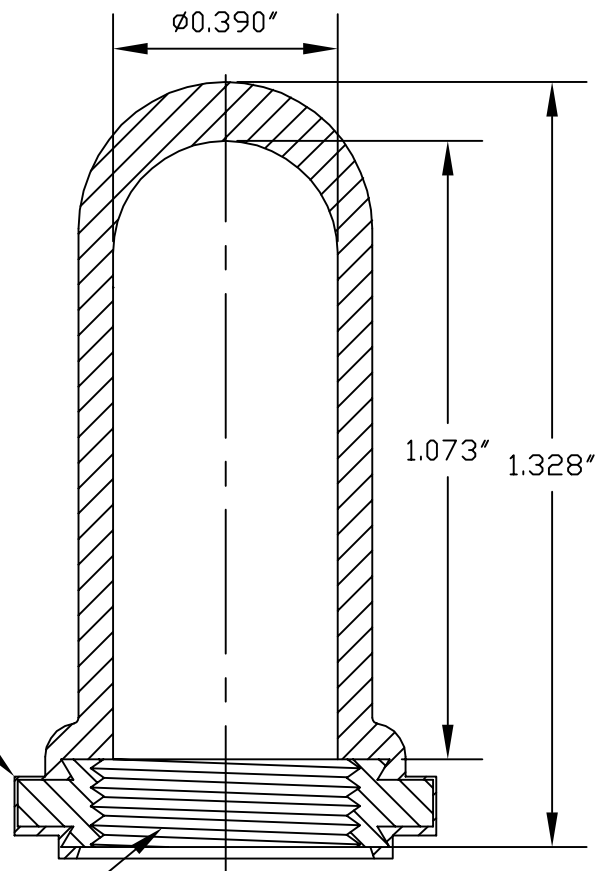
SPECIFICATIONS

Material: HEXSEALS: Silicone rubber conforms to A-A-59588 Class III, GR 60 unless otherwise specified.
Mounting Nut: HEXSEALS: Brass, nickel-plated (unless otherwise noted)
Temperature Range: HEXSEALS: -94°F to +400°F
Pressure Range: Exceeds 15 psi internal and 1500 psi external.
Operational Life: 50,000 actuations (minimum).
Shelf Life: Excess of 25 years.
Resistant to: Salt spray, sunlight, ozone, weather, fungus, and most acids and lubricating oils
Agency Recognition: E-SEELS and HEXSEALS are UL-listed to UL Std. 50 types 1-13, and meet CSA standards.
Installation: If a reducing adaptor is required - see page 14 of HEXSEAL catalog HEX200 for part numbers and drawing.



PERMISSIBLE RUBBER
 OVERLAY 0.005 MAX.

15/32-32 NS-2B



D	REDRAWN, MAT'L CHANGED, BACK TO CORRECT INSERT STANDARD	S. GOK	06.04.09
C	CAD COMPUTER GENERATED		09.23.02
B	REDRAWN		09.12.74
REV.	DESCRIPTION		DATE
MAXIMUM AND MINIMUM MEASUREMENTS ARE STATED DIRECTLY ON EACH DIMENSION		ENG.	M.M.
TITLE: BOOT, TOGGLE SWITCH #(N-1002)		DWN.	J.PALUMBO
MAT'L: SILICONE RUBBER A-A-59588 Class III, Gr.60		CHKD.	J. CELLA
FINISH: GRAY		SCALE	(N-1002) HEXSEAL®
APM-HEXSEAL CORPORATION		3:1	DWG. NO.

THIS DRAWING COVERS PROPRIETARY ITEM AND IS THE PROPERTY OF THE APM-HEXSEAL CORPORATION. THIS DRAWING IS NOT TO BE COPIED OR USED WITHOUT THE WRITTEN APPROVAL OF AN OFFICER OF THE APM-HEXSEAL CORPORATION.